

# Continental<sup>®</sup>

## BATTERIES

DATA SHEET

51R-CP

PART # 51R-CP  
 BCI 51R  
 VOLTAGE 12V  
 Ah 46



### PHYSICAL SPECIFICATIONS

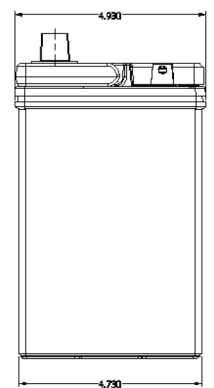
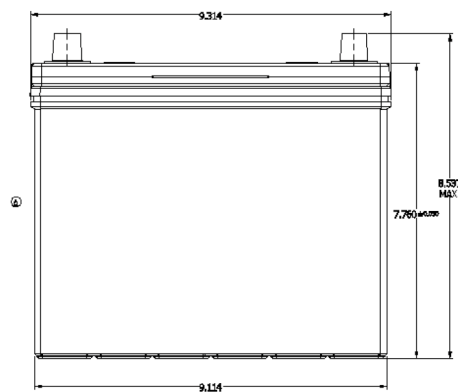
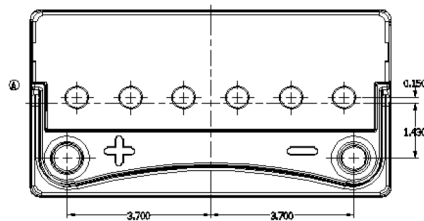
Battery Type	Weight	Dimensions (L x W x H)	Container Material	Cover Material	Separator Material	Handle Option
Flooded	29.04 lbs 13.2 kgs	9.31 x 4.93 x 8.54" 236.5 x 125.2 x 216.9 mm	Polypropylene	Polypropylene	Polyethylene	Yes

### ELECTRICAL SPECIFICATIONS

Nominal Voltage	SAE CCA (-18°C/0°F)	SAE CA (0°C/32°F)	SAE RC (27°C/80°F)	Ref. Ah Capacity 20 Hr	Battery Terminal Type	Electrolyte Specific Gravity Range
12.6 V	500 A	625 A	85 Min	46 Ah	Top Post SAE Type A	1.270-1.300

### MISC SPECIFICATIONS

Maximum Discharge Current	1000 A (5 sec)
Positive Grid Alloy	Lead Calcium Tin
Negative Grid Alloy	Lead Calcium
Terminal Polarity	+ -



WWW.GOCBS.COM

