

Continental[®] BATTERIES

DATA SHEET

24SM-XHD

PART # 24SM-XHD
BCI 24M
VOLTAGE 12V
Ah 74



PHYSICAL SPECIFICATIONS

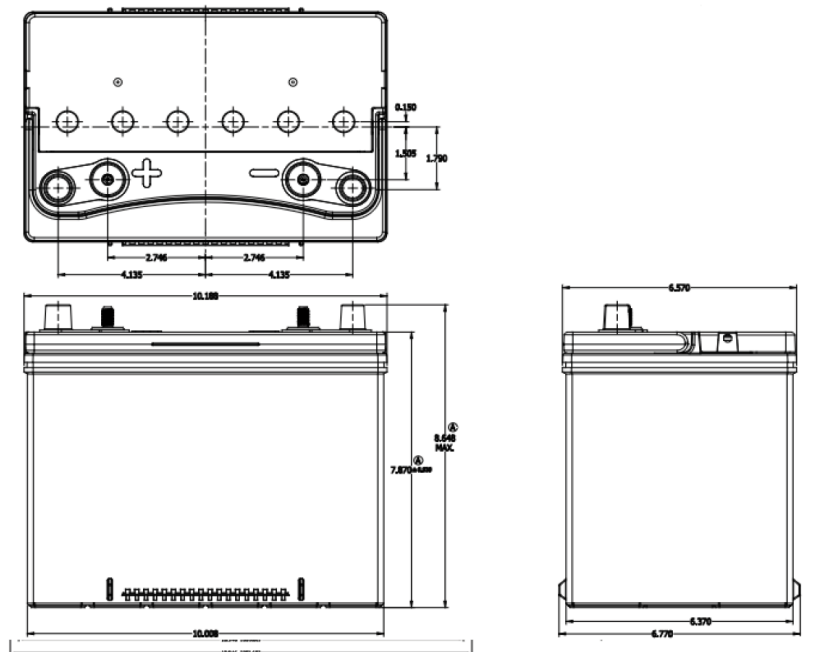
Battery Type	Weight	Dimensions (L x W x H)	Container Material	Cover Material	Separator Material	Handle Option
Flooded	41.08 lbs 18.7 kgs	10.188 x 6.77 x 8.648" 258.8 x 172 x 219.7 mm	Polypropylene	Polypropylene	Polyethylene	Yes

ELECTRICAL SPECIFICATIONS

Nominal Voltage	SAE CCA (-18°C/0°F)	SAE CA (0°C/32°F)	SAE RC (27°C/80°F)	Ref. Ah Capacity 20 Hr	Battery Terminal Type	Electrolyte Specific Gravity Range
12.6 V	800 A	1000 A	135 Min	74 Ah	Threaded Marine Type M	1.270-1.300

MISC SPECIFICATIONS

Maximum Discharge Current	1200 A (5 sec)
Positive Grid Alloy	Lead Calcium Tin
Negative Grid Alloy	Lead Calcium
Terminal Polarity	+ -



WWW.GOCBS.COM

